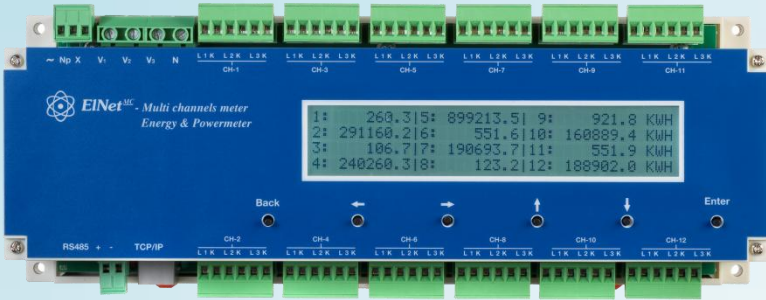


EINet^{MC} Multi channels meter Energy & Powermeter



EINet-MC energy powermeter is a compact, multi functional, multi channel, three\single-phase powermeter, especially designed to meet the stringent needs of power and energy measurement in any electrical installation.

EINet-MC includes history data logging and supports standard communication protocols BACnet and Modbus with simple integration into Building Management Systems over RS485 or Ethernet TCP as well as built in Web Browser.

An indispensable tool for the Building Engineer, it aids efficient use of electricity by showing Power Factor, Active and Reactive energy and Current in each and every Line in all channels.

Technical Data

Power Requirements:	90 ~ 250 VAC 110 ~ 280 VDC 60/50 Hz 11VA
Dimensions (HxWxD):	110 x 300 x 60 mm
Shipping Weight:	1.25 Kg.
Environmental:	
Operation.	-20 ~ +70 °C
Storage.	-20 ~ +70 °C
Humidity	0 ~ 95 RH% non-condensing
Front Panel Protection	IP33

Communication

RS485 port:	Up to 115200 bauds Modbus and BACnet.
Ethernet (TCP/IP):	Modbus and BACnet & Web Browser Capability

Input & Output Rating

Accuracy:	Active energy 0.2% Reactive energy 0.2%
Voltage: Line-Line	0 ~ 550 VAC RMS
Line-Neutral	0 ~ 950 (calculated) VAC RMS
Maximum	1000V RMS Continuous
Burden	< 0.06VA
Current: Rated	0-1 A, 0-5 A, up to 63Amp using our current transformers
Overload	50 A RMS Continuous
Withstand	100 A for 1 minute
Burden	< 0.05VA
Display:	4x40 text LCD display.

Maximum Input Voltage:	1000V
Maximum Input Current:	6A
Digital input:	Optional - Up to 36 by replacing a current transformer card with a digital input card.



CONTROL APPLICATIONS Ltd.

Supervision & control system

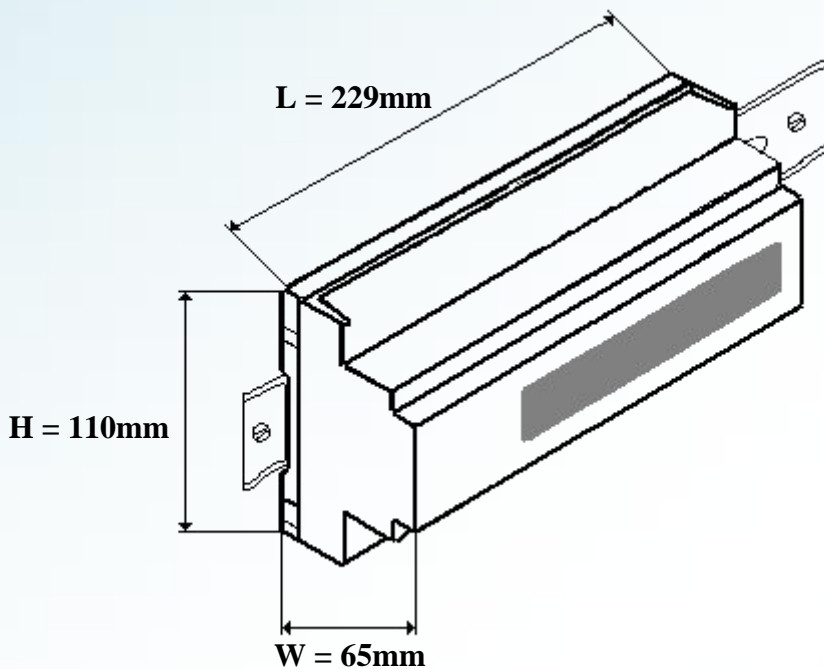
Tel: +972-3-6474998 Fax: +972-3-6474598 24a Habarzel St. Tel-Aviv, 69710, Israel

Measurement & Display Values in direct connection

Measurement Parameter	Display Range in direct connection (scaling factor 1)	Measuring in direct connection (scaling factor 1)	Display Range
Current	0.1 – 6A	0.1 – 6A	0.1 – 999999KA
Voltage L-N	0.1 – 550 V	0.1 – 550 V	0.1 – 999999KV
Voltage L-L	0.1 – 550 V	0.1 – 550 V	0.1 – 999999KV
Frequency (Hz)	45-65 Hz	45-65 Hz	45.001-65.001 Hz
Active power total\phase			0.1W – 999999999MW
Reactive power total\phase			0.1VAR - 999999999MVAR
Apparent power total\phase			0.1VA - 999999999MVA
Power Factor (cap.\ind.)	-1.000 ÷ 1.000	-1.000 ÷ 1.000	-1.000 ÷ 1.000
Active Energy total\phase			0.1WH – 9999999MWH
Reactive Energy total\phase			0.1VARH - 9999999MVARH
Apparent Energy total\phase			0.1VAH - 9999999MVAH

Standards

IEC 62053-22
 IEC 62053-23
 IEC 62052-11
 EN 55022, Class A, Amendments A1; A2
 EN 55024, Amendments A1; A2
 EN 61000-3-2, Class A
 EN 61000-3-3, Amendment A1
 IEC 61000-4-2
 IEC 61000-4-3
 IEC 61000-4-4
 IEC 61000-4-5
 IEC 61000-4-6
 IEC 61000-4-11

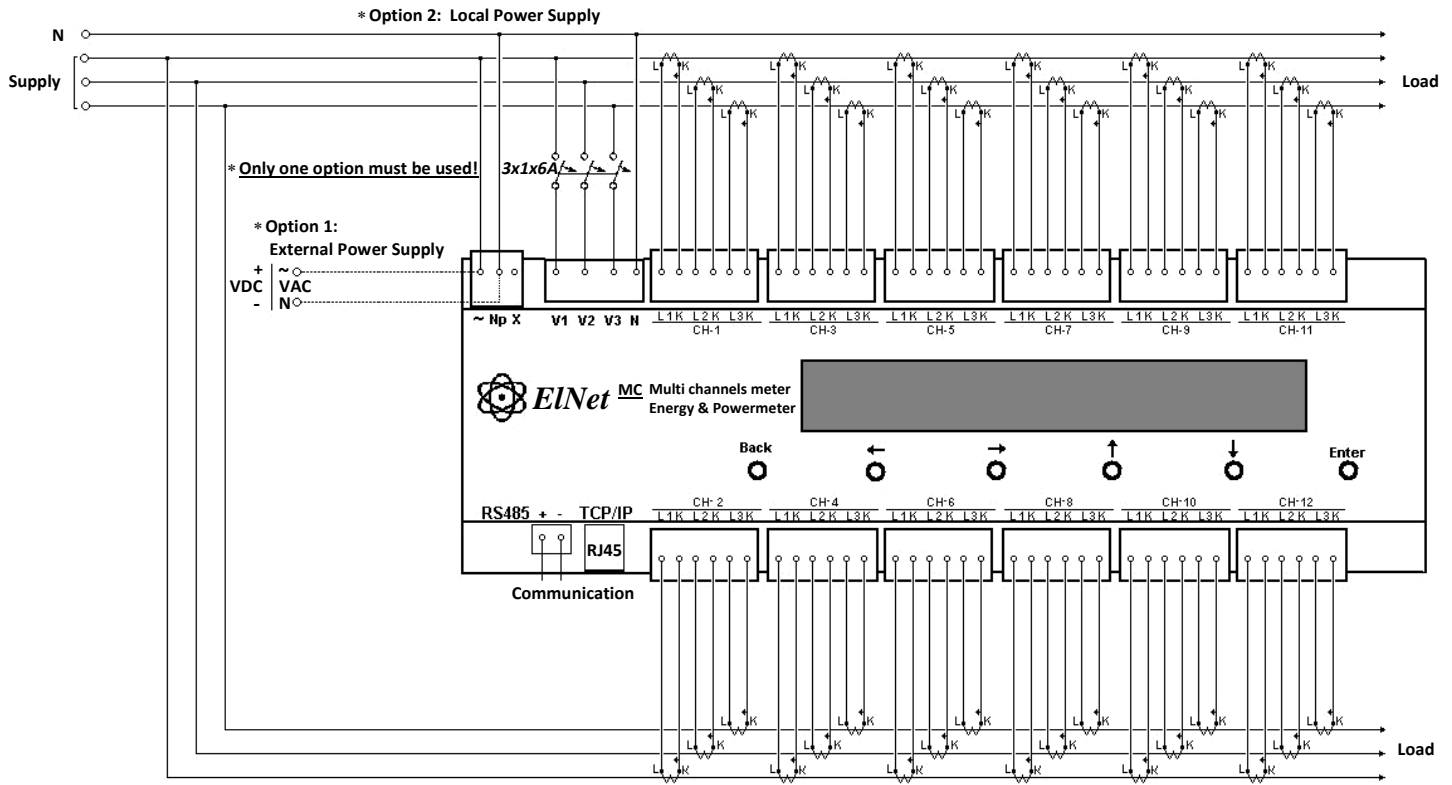


Mechanical mounting – simple DIN Rail installation

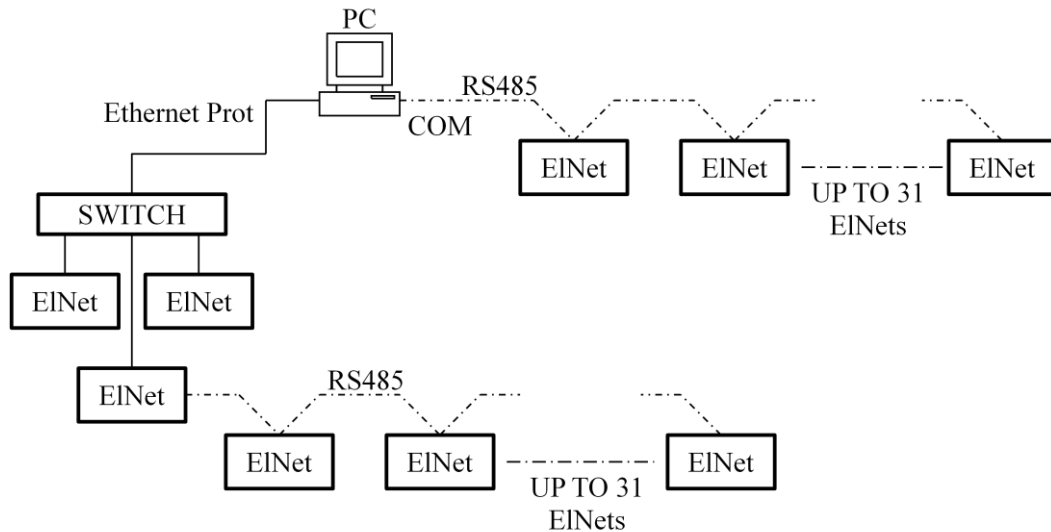


EINet^{MC} Multi channels meter Energy & Powermeter

Wiring Diagram Example



Communication Diagram Example



— TCP/IP ETHERNET (Shielded & Grounded)

- - - RS485 (Shielded & Grounded)



CONTROL APPLICATIONS Ltd.

Supervision & control system

Tel: +972-3-6474998 Fax: +972-3-6474598 24a Habarzel St. Tel-Aviv, 69710, Israel