



TalTcp Communication Interface is a multichannel converter between RS485 communication to Ethernet TCP IP and to RS232 com port. TalTcp provides 4 RS485 ports suitable for connection of up to 31 CPUs each (124 in total) and transmitting the data from them to the PC over TCP or RS232.

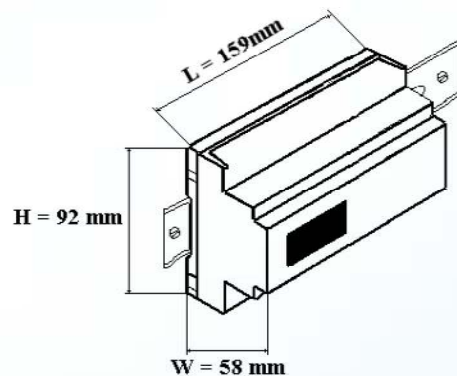
The TalTcp device is compatible with Control Applications protocol only.

Technical Data

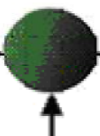
Power Requirements:	90 ~ 250 VAC 110 ~ 280 VDC 60/50 Hz 8VA
Dimensions (HxWxL):	92 x 58 x 159 mm
Shipping Weight:	0.45 Kg.
Environmental:	
Operation.	-20 ~ +70 °C
Storage.	-20 ~ +70 °C
Humidity	0 ~ 95 RH% non-condensing
Front Panel Protection	IP33

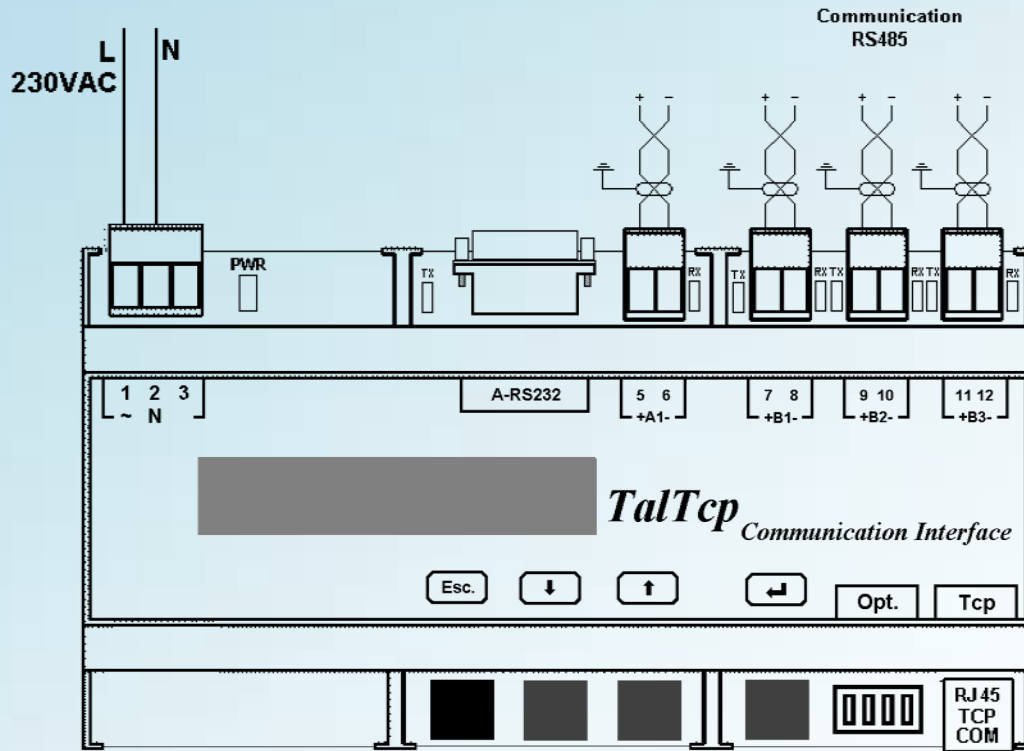
Communication

3 RS485 ports:	Up to 34800 bauds
1 RS485/RS232 port:	Up to 34800 bauds
1 Ethernet Port	Standard TCP/ IP communication

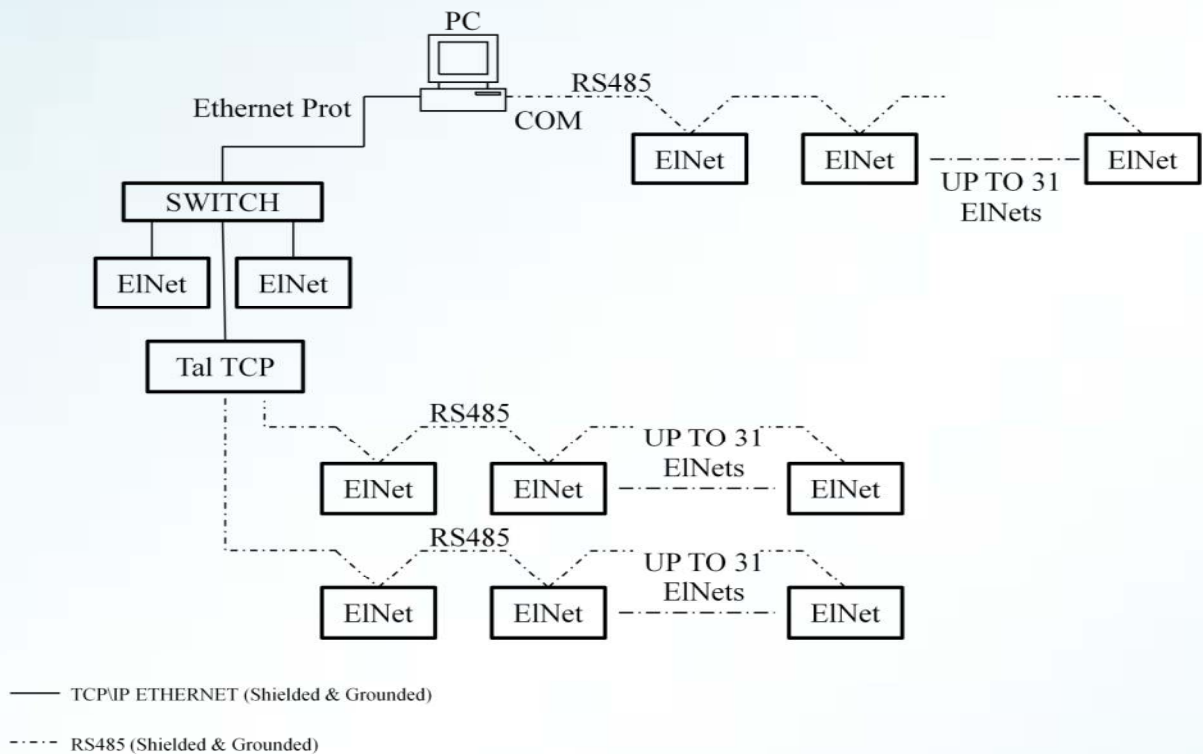


**Mechanical mounting – Din rail
installation**





Wiring Diagram Example



Communication Diagram Example